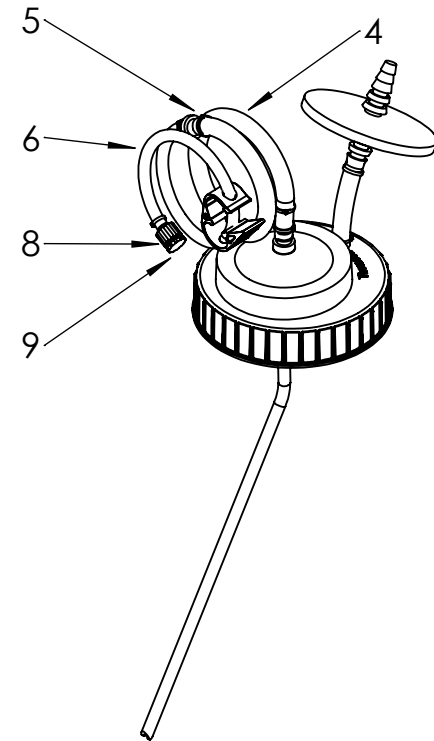
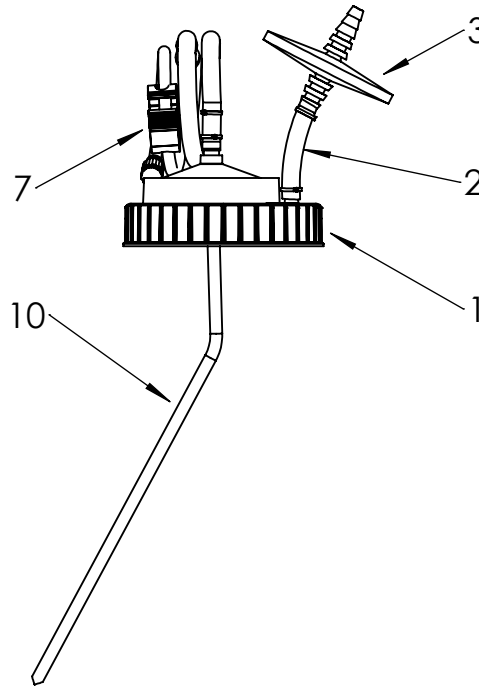


Item	Description	Qty.
1	100mm Polypropylene Transfer Cap with Silicone O-Ring	1
2	C-Flex Tubing 1/4in ID x 3/8in OD	2 Inches
3	Filter PTFE 0.2µm on Polypropylene	1
4	Platinum Cured Silicone Tubing 3/16in ID x 3/8in OD	24 Inches
5	Straight Reducer, animal-free PP	1
6	C-flex Tubing 1/8in ID x 1/4in OD	24 Inches
7	Pinch Clamp	1
8	Male Luer Fitting	1
9	Female Luer Cap	1
10	Polypropylene Tubing 1/8in ID x 1/4in OD	15 Inches



**PROPRIETARY AND CONFIDENTIAL**  
 THE INFORMATION CONTAINED IN THIS DRAWING IS THE SOLE PROPERTY OF THOMSON INSTRUMENT COMPANY. ANY REPRODUCTION IN PART OR AS A WHOLE WITHOUT THE WRITTEN PERMISSION OF THOMSON INSTRUMENT COMPANY IS PROHIBITED.

□ [htslabs.com](http://htslabs.com) | □ [info@htslabs.com](mailto:info@htslabs.com)  
 □ 800 541.4792 | □ 760 757.8080 □ 760 757.9367

**THOMSON** Solutions™  
 INSTRUMENT COMPANY At Work

TECHNICAL SPECIFICATION DRAWING  
 (DIMENSIONS ARE IN INCHES)

Bidirectional Transfer Cap, 2' Tubing  
 w/ Luer Lock, Sterile, Use w/ 931117

PART NUMBER  
 931470-8

DATE  
 07-26-2024